

**Part Number: PT218-52111**

**Kit Contents**

Item #	Quantity Reqd.	Description
1	1	Cargo Tray

**Hardware Bag Contents**

Item #	Quantity Reqd.	Description

**Additional Items Required For Installation**

Item #	Quantity Reqd.	Description

**Conflicts**

--

**Recommended Tools**

<b>Personal &amp; Vehicle Protection</b>	<b>Notes</b>
<b>Special Tools</b>	<b>Notes</b>
<b>Installation Tools</b>	<b>Notes</b>
<b>Special Chemicals</b>	<b>Notes</b>

**General Applicability**

--

**Recommended Sequence of Application**

Item #	Accessory







\*Mandatory

**NOTE:** Part number of this accessory may not be the same as the part number shown

**Vehicle Service Parts** (may be required for reassembly)

Item #	Quantity Reqd.	Description
1		
2		
3		

**Legend**

	<b>STOP:</b> Damage to the vehicle may occur. Do not proceed until process has been complied with.
	<b>OPERATOR SAFETY:</b> Use caution to avoid risk of injury.
	<b>CAUTION:</b> A process that must be carefully observed in order to reduce the risk of damage to the accessory/vehicle and to ensure a quality installation.
	<b>TOOLS &amp; EQUIPMENT:</b> Used in Figures calls out the specific tools and equipment recommended for this process.
	<b>REVISION MARK:</b> This mark highlights a change in installation with respect to previous issue.
	<b>SAFETY TORQUE:</b> This mark indicates that torque is related to safety.

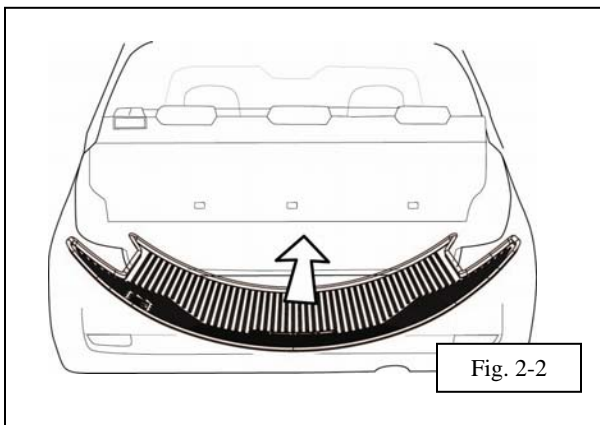
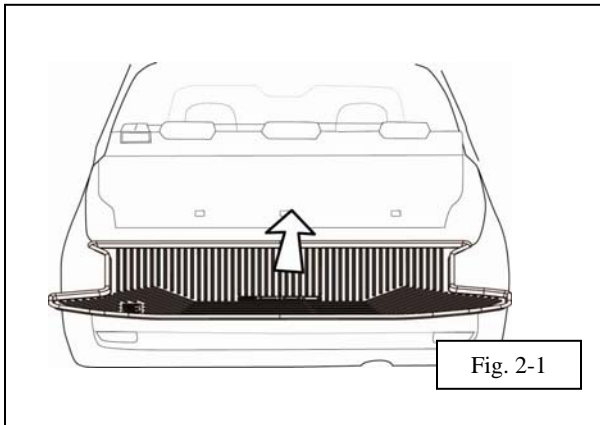
Care must be taken when installing this accessory to ensure damage does not occur to the vehicle. The installation of this accessory should follow approved guidelines to ensure a quality installation.

These guidelines can be found in the "Accessory Installation Practices" document.

This document covers such items as:-

- Vehicle Protection (use of covers and blankets, cleaning chemicals, etc.).
- Safety (eye protection, rechecking torque procedure, etc.).
- Vehicle Disassembly/Reassembly (panel removal, part storage, etc.).
- Electrical Component Disassembly/Reassembly (battery disconnection, connector removal, etc.).

Please see your Scion dealer for a copy of this document.



### **1. PREPARATION**

- (a) Open package and check part for damage and kit contents.
- (b) Remove any debris from rear cargo area.
- (c) Place vehicle protection over the rear bumper.

### **2. INSTALL THE CARGO TRAY**

- (a) Place Cargo Tray in Cargo Area with logo towards the rear of the vehicle and facing up. (Fig 2-1)
- (b) Grasp the tray by the rear (widest end) and fold in the sides sufficiently to slide it into the rear compartment. After installing the tray, ensure all of the edges are pushed down against the floor. (Fig 2-2)

### **3. COMPLETE THE INSTALLATION**

- (a) Remove the vehicle protection.
- (b) Close the hatch gate.

Checklist - these points **MUST** be checked to ensure a quality installation.

Check: \_\_\_\_\_

Look For: \_\_\_\_\_

Accessory Function Checks

Correct part number has been installed.

Verify part number on package.

Vehicle Function Checks